

BALL JOINT REMOVAL & INSTALLATION TOOL INSTRUCTIONS








Read this material before using this product. Failure to do so can result in serious injury.

SAVE THIS MANUAL!

Keep this manual for the safety warnings and precautions, assembly, operating, inspection, maintenance and cleaning procedures. Write the product's serial number in the back of the manual near the assembly diagram (or month and year of purchase if product has no number). Keep this manual and the receipt in a safe and dry place for future reference.

WARNING SYMBOLS AND DEFINITIONS

	This is the safety alert symbol. It is used to alert you to potential personal injury hazards. Obey all safety messages that follow this symbol to avoid possible injury or death.
	Indicates a hazardous situation which, if not avoided, will result in death or serious injury.
	Indicates a hazardous situation which, if not avoided, could result in death or serious injury.
	Indicates a hazardous situation which, if not avoided, could result in minor or moderate injury.
	Addresses practices not related to personal injury.

IMPORTANT SAFETY INFORMATION



WARNING Read all safety warnings and instructions.

Failure to follow the warnings and instructions may result in serious injury.

Save all warnings and instructions for future reference.

1. **Keep children and bystanders away while operating.**
Distractions can cause you to lose control.
2. Keep work area clean and well lit.
Cluttered or dark areas invite accidents.
3. **Wear ANSI-approved safety goggles, NIOSH-approved dust mask/respirator, and heavy-duty work gloves during use and service.**
4. Stay alert and use common sense when operating.
Do not use when tired or under the influence of drugs, alcohol or medication.
5. Do not overreach. Keep proper footing and balance at all times. This enables better control in unexpected situations.
6. Dress properly. Do not wear loose clothing or jewelry. Keep your hair, clothing and gloves away from moving parts. Loose clothes, jewelry or long hair can be caught in moving parts.
7. **This product is not a toy. Keep it out of reach of children.**
8. Use the correct product for the correct vehicle.
The correct product will do the job better and safer at the rate for which it was designed. Do not modify this product or use it for a purpose for which it is not intended.
9. Check for misalignment or binding of moving parts, breakage of parts and any other condition that may affect the product's operation. If damaged, have the product repaired before use.
10. Use the product and accessories etc., in accordance with these instructions and in the manner intended for the particular type of product, taking into account the working conditions and the work to be performed. Use of the product for operations different from those intended could result in a hazardous situation.
11. Have product serviced by a qualified repair person using only identical replacement parts. This will ensure that the safety of the product is maintained.
12. Maintain labels and nameplates on the product. These carry important safety information. If unreadable or missing, contact Harbor Freight Tools for a replacement.
13. This product contains or, when used, produces a chemical known to the State of California to cause cancer and birth defects or other reproductive harm. (California Health & Safety Code § 25249.5, *et seq.*)
14. Use caution when applying a load. Slowly and carefully apply pressure to the vehicle part being pressed. If the workpiece seems unusually hard to press, immediately stop the operation. Carefully disconnect the Ball Joint Kit from the workpiece, and adjust the Ball Joint Kit to eliminate or diminish an off-center load. Then, continue with the procedure.

15. Do not use the Ball Joint Kit to compress springs or any other item that could disengage and cause a potential hazard.
16. Do not allow any lubricants to make contact between any part of the Ball Joint Kit and the part being pressed. Lubricants of any type on the above mentioned parts will diminish the ability of the Ball Joint Kit to firmly and safely grip and hold the Ball Joint Kit in position.
17. Examine the Ball Joint Kit for structural cracks, bends, and any other condition that may affect the safe operation of the tool. Do not use the Ball Joint Kit even if minor damage appears.
18. Read and understand all instructions and safety precautions as outlined in the manufacturer's manual for the vehicle you are servicing. Use the vehicle manufacturer's recommended ball joint press points.
19. The warnings, precautions, and instructions discussed in this instruction manual cannot cover all possible conditions and situations that may occur. It must be understood by the operator that common sense and caution are factors which cannot be built into this product, but must be supplied by the operator.



SAVE THESE INSTRUCTIONS.

Operating Instructions



Read the **ENTIRE WARNING** section at the beginning of this manual including all text under subheadings therein before set up or use of this product.

Note: Read vehicle service manual to determine how to prepare the ball joint for removal from a specific vehicle make/model. The generic instructions that follow may, or may not apply to your vehicle.

To Remove a Ball Joint

1. Assemble the Ball Joint Press (1) over the vehicle's control arm. Select the correct size Receiving Tube (3, 4, or 5), and position it under the vehicle's ball joint.
2. Place the Removal Adapter (7) between the Receiving Tube and the Jackscrew (2).
3. Then, place the Installation Adapter (6) between the top of the ball joint and the Ball Joint Press. See Figure A.
4. Tighten the Jackscrew until the Receiving Tube contacts the vehicle's control arm.
5. Check the alignment of all the Ball Joint Kit parts, and continue tightening the Jackscrew until the vehicle's ball joint is removed.

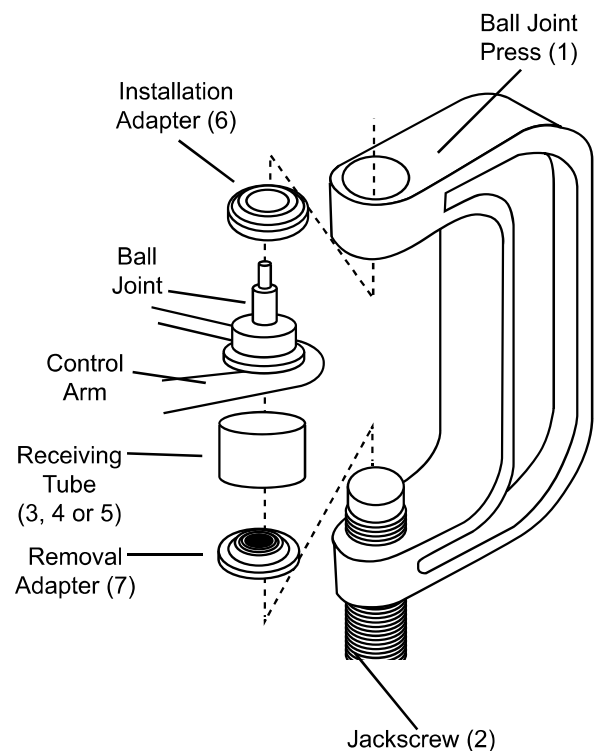


Figure A

To Install a Ball Joint

1. Clean the vehicle's control arm, and coat the inside diameter of the control arm with a light lubricant.
2. Insert the replacement ball joint as straight as possible into the vehicle's control arm.
3. Assemble the Ball Joint Press over the vehicle's control arm. Select the correct size Receiving Tube and position it on top of the vehicle's control arm. See Figure B.
4. Place the Installation Adapter between the Receiving Tube and the Ball Joint Press. Then, place the Removal Adapter between the ball joint and the Jackscrew.
5. Check the alignment of all the Ball Joint Kit parts. Then, tighten the Jackscrew until the vehicle's ball joint is firmly sealed.

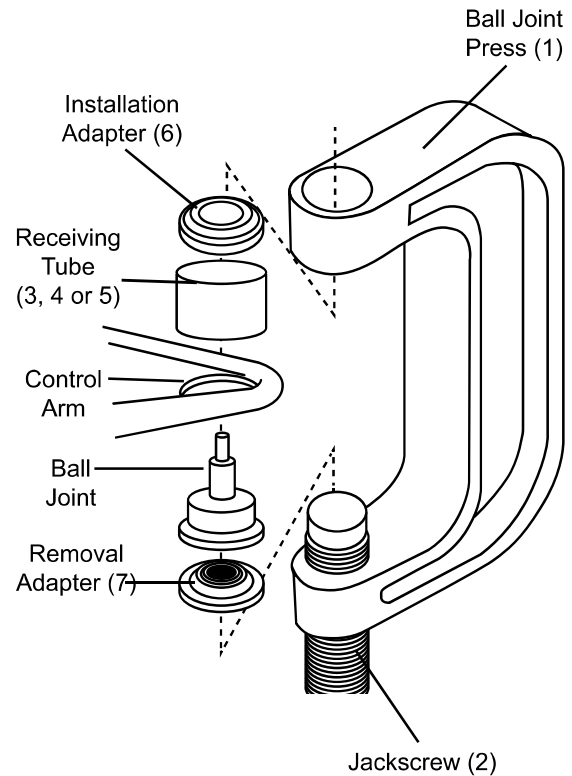


Figure B

To Remove and Install Brake Anchor Pins

1. To remove the brake anchor pins, remove all lock ring retainers from the Brake Anchor Pins.
2. Position the Ball Joint Press over the brake spider.
3. Tighten the Jackscrew until the anchor pins can be removed. See Figure C.
4. To install the brake anchor pins, insert the brake anchor pins. Then reinstall the lock ring retainers on the brake anchor pin.
5. Unscrew and remove the Ball Joint Press.

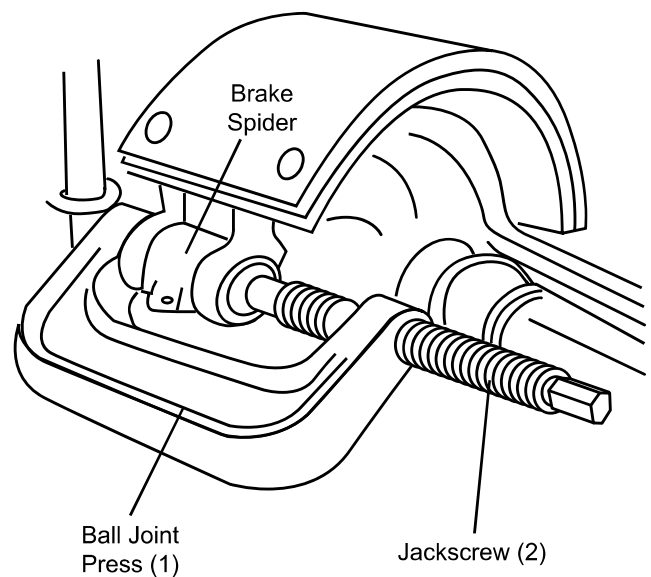
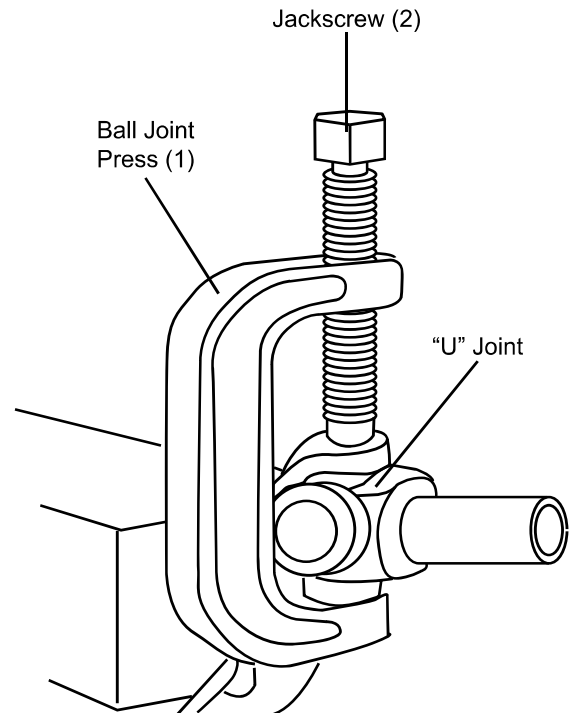


Figure C

To Disassemble / Assemble a “U” Joint

1. To disassemble a “U” joint, remove any external and/or internal lock rings.
2. Position the Ball Joint Press around the drive shaft yoke and tighten the Jackscrew until the first bearing is removed. See Figure D.
3. Reposition the Ball Joint Press and remove the second bearing.
4. To assemble a “U” joint, clean all dirt and oil from the yoke area.
5. Align the replacement bearing and Ball Joint Press as straight as possible over the yoke. Press the replacement bearing into the yoke, and reassemble the external/internal lock ring.
6. Reposition the Ball Joint Press and second replacement bearing as straight as possible over the yoke, and press the bearing into the yoke.
7. Reassemble the external/internal lock ring.



Cleaning, Maintenance, and Lubrication

Do not perform any inspection, maintenance or cleaning procedures with the Ball Joint Kit is under a load.

1. **BEFORE EACH USE**, inspect the general condition of the Ball Joint Kit. Check for misalignment or binding of moving parts, cracked or broken parts, and any other condition that may affect its safe operation. If abnormal noise or vibration occurs, have the problem corrected before further use.
Do not use damaged equipment.
2. **PERIODICALLY**, use a premium quality and light weight machine oil to lubricate the threads of the Jackscrew.
3. **AFTER USE**, wipe clean with a damp cloth, using a mild detergent or mild solvent.
4. When storing, keep Ball Joint Kit in its Carrying Case (11).

PLEASE READ THE FOLLOWING CAREFULLY

THE MANUFACTURER AND/OR DISTRIBUTOR HAS PROVIDED THE PARTS LIST AND ASSEMBLY DIAGRAM IN THIS MANUAL AS A REFERENCE TOOL ONLY. NEITHER THE MANUFACTURER OR DISTRIBUTOR MAKES ANY REPRESENTATION OR WARRANTY OF ANY KIND TO THE BUYER THAT HE OR SHE IS QUALIFIED TO MAKE ANY REPAIRS TO THE PRODUCT, OR THAT HE OR SHE IS QUALIFIED TO REPLACE ANY PARTS OF THE PRODUCT. IN FACT, THE MANUFACTURER AND/OR DISTRIBUTOR EXPRESSLY STATES THAT ALL REPAIRS AND PARTS REPLACEMENTS SHOULD BE UNDERTAKEN BY CERTIFIED AND LICENSED TECHNICIANS, AND NOT BY THE BUYER. THE BUYER ASSUMES ALL RISK AND LIABILITY ARISING OUT OF HIS OR HER REPAIRS TO THE ORIGINAL PRODUCT OR REPLACEMENT PARTS THERETO, OR ARISING OUT OF HIS OR HER INSTALLATION OF REPLACEMENT PARTS THERETO.

Parts List & Assembly Diagram

No.	Name	Qty.
A	C-Frame (6¼" × 2¼")	1
B	Screw	1
C	Center Rod (7/8" O.D.)	1
G	Install Cup Adapter (7/8" L × 17/8" I.D. × 2¼" O.D.)	1
I	Removal Adapter	1
J	Install Adapter	1
K	Receiving Tube (1¾" × 2")	1
L	Receiving Tube (1¾" × 2½")	1
M	Receiving Tube (2¼" × 3")	1
Q	Install Cup (3¾" L × 1¾" I.D. × 2" O.D.)	1
U	Receiving Cup (2½" L × 2" I.D. × 2¼" O.D.)	1



Fitment				Part (R=Remove I=Install RI=Remove/Install)							
Make	Model	Years	Joint	M	L	K	J	I	Q	U	G
Note: Compatibility is not limited to the specific models listed.											
Buick	Rainier	04–07	Lower					R		I	I
Cadillac	CTS	03–13	Lower		I			I			I
	DeVille (HD Suspension, Limo Commercial Chassis)	96–99	Lower	R	RI		RI	R			
	Escalade	99–00	Lower		I		I	R			
		02–07	Lower		I		I	I			I
Chevrolet	C/K 1500 4WD	96–99	Lower		I		I	R			
	C/K 2500 2WDw/ 7200 lbs GVW	91–92	Lower	R	R		R	R			
	C/K 2500 2WDw/ 8600 lbs GVW	91–92	Lower	R	R		R	R			
	C/K 2500 4WD	96–99	Lower		I		I	R			
	3500 2WD w/ IFS (5th VIN digit "C")	91–92	Lower	R	R		R	R			
	3500 4WD	96–99	Lower		I		I	R			
	Astro 2WD	85–05	Lower		I		I				
	Avalanche 1500 2WD/4WD	02–13	Lower		I		I	I			I
	Avalanche 2500 2WD/4WD	02–06	Lower		I			RI			I

Fitment				Part (R=Remove I=Install RI=Remove/Install)							
Make	Model	Years	Joint	M	L	K	J	I	Q	U	G
Chevrolet	Corvette	84-96	Lower	R	R		R	R			
	Express 1500	03-15	Lower		I		I	I			I
							I				I
	Express 2500 w/7300 lbs GVW	03-14	Lower		I		I	I			I
							I				I
	Express 2500w/8500 lbs GVW	03-14	Lower		I			I			I
	Express 3500	96-14	Lower		I			I			I
	Silverado 2500 & 2500 HD 4WD	1999	Lower		I			RI			I
	Silverado 2500 4WD	2000	Lower		I			RI			I
	Silverado 2500 HD 2WD / 4WD	01-11	Lower		I			RI			I
	Silverado 3500 2WD /4WD	01-11	Lower		I			RI			I
	SSR	03-06	Lower					R		I	I
	Suburban 1500 2WD	1992	Lower	R	R		R	R			
	Suburban 1500 2WD/4WD	00-06	Lower		I		I	I			I
		07-14	Lower		I		I	I			
	Suburban 2500 2WD	1992	Lower	R	R		R	R			
	Suburban 2500 2WD/4WD	01-13	Lower		I			RI			I
Suburban 2500 4WD	96-99	Lower		I		I	R				
	2000	Lower		I			RI			I	

Fitment				Part (R=Remove I=Install RI=Remove/Install)								
Make	Model	Years	Joint	M	L	K	J	I	Q	U	G	
Chevrolet	Tahoe 2WD New Style (Exc. Limited)	2000	Lower		I		I	I			I	
							I				I	
	Silverado 1500 4WD	99-06	Lower		I		I	I			I	
							I				I	
	Silverado 1500 4WD (Old Style)	2007	Lower		I		I	I			I	
							I				I	
	Silverado 1500 HD 2WD / 4WD	01-07	Lower		I				RI		I	
	Silverado 2500 2WD/4WD	01-07	Lower		I				RI		I	
	Suburban 1500 4WD	96-99	Lower		I		I	R				
	Tahoe 2WD/4WD	01-06	Lower		I		I	I				I
		07-14	Lower		I		I	I				
	Tahoe 4WD	96-00	Lower		I		I	R				
Traiblazer 2WD/4WD	02-09	Lower						R		I	I	
Trailblazer EXT 2WD/4WD	03-07	Upper						R		I	I	
Dodge	Dakota 2WD	87-97	Lower								I	
	1/2-ton, 3/4-ton 2WD Pickup	72-93	Lower								I	
	1/2-ton 2WD Ramcharger	74-93	Lower								I	
	1/2-, 3/4-, 1-ton 2WD Van	79-97	Lower								I	
	1/2-, 3/4-, 1-ton 2WD Pickup(IFS)	94-97	Upper								I	

Fitment				Part (R=Remove I=Install RI=Remove/Install)							
Make	Model	Years	Joint	M	L	K	J	I	Q	U	G
Dodge	1-ton solid axle, 2WD; 3/4-, 1-ton Dana 60 axle, 4WD	94-97	Upper						I		I
	1-ton solid axle, 2WD; 3/4-, 1-ton Dana 60 axle, 4WD	94-97	Lower							I	
	1/2-, 3/4-ton Dana 44 axle, 4WD	94-06	Lower						I	R	
	1/2-, 3/4-ton Dana 44 axle, 4WD	94-06	Upper						I	R	
	1/2-, 3/4-, 1-ton 4WD & Ramcharger	72-93	Lower						I	R	
	1/2-, 3/4-, 1-ton 4WD & Ramcharger	72-93	Upper						I	R	I
	Grand Caravan	88-07	Lower			R	R				
	Grand Cherokee 4WD	93-04	Lower								I
	Grand Cherokee 4WD	93-04	Upper								I
	Dodge Ram 4WD 1/2- Ton Pickup	94-01	Lower								I
	Dodge Ram 4WD 1/2- Ton Pickup	94-01	Upper								I
	Dodge Ram 1500 2WD	94-97	Lower	R				I	R		I
Dodge Ram 2500 2WD	97-99	Lower	R				I	R		I	

Fitment				Part (R=Remove I=Install RI=Remove/Install)							
Make	Model	Years	Joint	M	L	K	J	I	Q	U	G
Dodge	Dodge 3500 2WD w/IFS	94-99	Lower	R			I	R		I	
	Dodge Ram 1500 4WD	2006	Lower		I			I			I
	Dodge Ram 1500 4WD	94-99	Lower						R		
	Ram 2500 4WD w/ Dana 44 Axle	94-99	Lower						R		
	Dodge Ram 1500 4WD w/216 FBU Axle	00-01	Lower						R		
	Ram 1500 4WD w/248 FBI Axle	00-01	Lower						R		
	Dodge Ram 2500 4WD w/ Dana 60(4500 lb axle)	94-99	Upper		R	I		RI			I
	Ram 3500 4WD w/ Solid Axle	94-99	Upper		R	I		RI			I
	Dodge Ram 3500 4WD	96-99	Upper		R	I		RI			I
	Dodge Ram 2500 2WD	03-08	Lower		I			I			I
	Dodge Ram 3500 2WD	03-08	Lower		I			I			I
	Dodge Ram 2500 4WD	00-08	Upper		R		R				
	Dodge Ram 3500 2WD w/Solid Axle	00-02	Upper		R		R				
	Dodge Ram 3500 4WD	00-08	Upper		R			R			
	Dodge Ram Van B150	81-94	Lower		I				I		I

Fitment				Part (R=Remove I=Install RI=Remove/Install)							
Make	Model	Years	Joint	M	L	K	J	I	Q	U	G
Dodge	Dodge Ram Van 1500/2500/3500	95-03	Lower		I			I			I
	Dodge Ram 1500 2WD/4WD	02-05	Lower		I			I			I
	Dodge Ram SRT- 10	04-06	Lower		I			I			I
	Dodge Ram 2500 4WD w/ Dana 60(4500 lb axle)	94-99	Lower				I	R		I	I
	Dodge Ram 3500 4WD w/Solid Axle Ram 3500 4WD	94-99	Lower				I	R		I	I
	Dodge Ram 3500 4WD	96-99	Lower				I	R		I	I
	Caliber FWD/AWD	07-12	Lower								
	Caravan	84-00	Lower			R	R	I	I		
	Challenger	08-10	Lower							I	I
	Charger RWD	06-10	Lower							I	I
	Colt	84-94	Lower							R	
	Dakota 2WD/4WD	05-11	Lower								I
	Dakota 4WD	97-04	Lower		R		I	R		I	
	Durango 2WD/4WD	04-09	Lower		I		I	I			
	Durango 4WD	98-03	Lower		R		I	R		I	
	Magnum RWD	05-08	Lower							I	I

Fitment				Part (R=Remove I=Install RI=Remove/Install)								
Make	Model	Years	Joint	M	L	K	J	I	Q	U	G	
Dodge	Nitro 2WD/4WD	07-12	Lower								I	
	Ram 3500 4WD	96-99	Upper		R	I		RI			I	
	Sprinter 2500	03-10	Lower		I			RI			I	
	Sprinter 3500	03-10	Lower		I			RI			I	
Chrysler	300C RWD	05-10	Lower							I	I	
	Aspen 2WD/4WD	07-09	Lower		I		I	I				
	Grand Voyager	2000	Lower			R	R					
	Pacifica FWD/AWD	05-08	Lower									
	Town & Country	90-00	Lower			R	R	I	I			
		01-16	Lower									
	Voyager	00-03	Lower			R	R	I	I			
Eagle	2000 GTX (Canada Only)	91-93	Lower							R		
	Summit	91-96	Lower							R		
	Talon	90-94	Lower							R		
Ford	Aerostar 2WD	86-97	Lower		I			I				
	Aerostar 4WD	86-97	Lower		R	I		RI		I	I	
	Aero	86-97	Lower								I	
	Aero 4WD	86-97	Lower		R	I		RI			I	
	Accord	90-97	Lower						I			

Fitment				Part (R=Remove I=Install RI=Remove/Install)									
Make	Model	Years	Joint	M	L	K	J	I	Q	U	G		
Ford	Accord Sedan & Coupe	98-02	Lower						I				
	Bronco	80-96	Lower						I	R	I		
			Upper			I		I	I	R	I		
	Bronco II 4WD w/ Dana 28 Axle	84-90	Lower		R	I	I	I				I	
			Upper		R	I	I	I				I	
	Bronco II 4WD w/ Dana 35 Axle	1990	Lower		R	I	I	I				I	
			Upper		R	I	I	I				I	
	Crown Victoria	95-02	Lower									I	
	E-150	92-04	Lower		R	I			RI				I
		03-08	Lower			I			RI				I
		96-02	Upper			I			RI				I
		03-08	Upper		R	I			RI		I		I
	E-250, E-350, E-450	96-04	Lower					I				I	I
		05-08	Lower	R				I	R			I	I
		96-04	Upper			I			RI				I
		05-08	Upper		R	I			RI		I		I
	Excursion 2WD	00-05	Upper			I			I	I	R		I
			Lower						R			I	I
	Excursion 4WD	00-05	Upper							I	R		I
			Lower						R			I	I

Fitment				Part (R=Remove I=Install RI=Remove/Install)								
Make	Model	Years	Joint	M	L	K	J	I	Q	U	G	
Ford	Expedition 2WD/4WD	97-02	Lower	R	I			RI			I	
		03-17	Lower		I			I			I	
	F250 4WD (Under 8500 lbs. GVW)	97-99	Lower	R	I			RI			I	
	Mustang	94-04	Lower									I
		05-14	Lower		R		R					
	Probe	89-97	Lower							I	I	
	2WD Bronco II	89-90	Upper						I		I	
	2WD Bronco II	87-88	Lower						I		I	
	2WD Explorer	91-94	Lower								I	
	2WD Explorer	91-94	Upper						I		I	
	2WD Ranger	83-88	Lower							I		I
		89-97	Upper							I		I
		87-88	Upper									I
		83-88	Upper									I
		89-90	Lower									I
		89-97	Lower									I
	1/2-ton 2WD Pickup	81-86	Lower							I	R	I
		87-96	Upper							I		I
		87-97	Upper							I		I

Fitment				Part (R=Remove I=Install RI=Remove/Install)								
Make	Model	Years	Joint	M	L	K	J	I	Q	U	G	
Ford	1/2-ton 2WD Pickup	81-86	Upper								I	
	4WD Bronco	80-95	Lower						I	R	I	
		80-96	Upper						I	R	I	
	4WD Bronco II w/Dana 28	1980	Upper								I	
	4WD Bronco II	84-89	Upper								I	
	4WD Explorer w/Dana 28	91-94	Upper								I	
	4WD Ranger w/Dana 28	91-97	Upper								I	
	4WD Ranger	83-89	Upper								I	
	1-ton (3800 axle) 4WD	1981	Lower						I	R	I	
	1/2-, 3/4-ton 4WD	80-96	Lower						I	R	I	
	3/4-, 1-ton 2WD	87-97	Lower							I		
	1/2-, 3/4-, 1-ton 2WD Van	92-97	Upper			I		RI				
	3/4-, 1-ton 2WD Van	92-97	Lower					I				
	1/2-ton 2WD Van	92-97	Lower								I	
	Bronco II 4WD w/ Dana 28 Axle	84-92	Upper		R	I	I	RI				I
	Explorer 4WD w/ Dana 28 Axle	91-94	Upper		R	I	I	RI				I
	Bronco II 4WD w/ Dana 28 Axle	84-92	Lower		R	I	I	RI				I
	Bronco II 4WD w/ Dana 35 Axle	1990	Upper		R	I	I	RI				I
	Bronco II 4WD w/ Dana 35 Axle	1990	Lower		R	I	I	RI				I

Fitment				Part (R=Remove I=Install RI=Remove/Install)							
Make	Model	Years	Joint	M	L	K	J	I	Q	U	G
Ford	Explorer 4WD w/ Dana 35 Axle	91-93	Lower		R	I	I	RI			I
	Explorer 4WD w/ Dana 28 Axle	91-94	Lower		R	I	I	RI			I
	Explorer 4WD w/ Dana 35 Axle	93-94	Lower		R	I	I	RI			I
	F-150 4WD HD	80-96	Lower						I	R	I
	F-150 2WD/F- 350 2WD	87-97	Upper			I		I		R	I
	F250 2WD	87-96	Upper			I		I		R	I
	F-150 2WD	87-96	Lower		R	I		RI			I
	F-250 4WD HD w Twin I-Beam	80-96	Upper			I		I	I	R	I
	F-250 4WD W/4600	1997	Upper			I		I	I	R	I
	F-250 Super Duty 2WD w/ Twin I- Beam Axle	99-08	Upper			I		I	I	R	I
	F-350 SD 2WD w/ Twin I-Beam Axle	99-08	Upper			I		I	I	R	I
	F250 4WD w/ 4600 lbs. Axle	80-96	Lower					R		I	I
	F250 4WD w/ 4600 lbs. Axle w/ Twin I-Beam	1997	Lower					R		I	I
	Bronco	80-96	Lower						I	R	I
	F-250 4WD w/3850 lbs.Axle	80-96	Lower						I	R	I

Fitment				Part (R=Remove I=Install RI=Remove/Install)							
Make	Model	Years	Joint	M	L	K	J	I	Q	U	G
Ford	Explorer 4WD w/ Dana 35 Axle	91-93	Upper		R	I	I	RI			I
	F250 4WD (Under 8500 lbs. GVW)	97-99	Lower	R	I			RI			I
	F-150 Heritage & Lightning	-2004	Lower	R	I			RI			I
	Explorer 2WD/4WD	96-05	Lower	R	I			RI			I
	F-350 4WD (Monobeam Axle)	92-97	Upper							R	I
	F-250 Super Duty 2W/4WD (Monobeam Axle)	99-08	Upper							R	I
	F-350 SD 2WD/4WD (Monobeam Axle)	99-08	Upper							R	I
	F-550 SD 2WD/4WD (Monobeam Axle)	99-08	Upper							R	I
	F-250 2WD	87-96	Lower		R		I	R		I	I
	F350 2WD	87-97	Lower		R		I	R		I	I
	F250 2WD HD w/ Twin I-Beam	1997	Lower		R		I	R		I	I
	F-350 4WD (Monobeam Axle)	92-97	Lower					R		I	I
	F-250 Super Duty 2W/4WD (Monobeam Axle)	99-08	Lower					R		I	I
	F-350 4WD (Monobeam Axle)	99-08	Lower					R		I	I
	F-550 SD 2WD/4WD (Monobeam Axle)	99-08	Lower					R		I	I

Fitment				Part (R=Remove I=Install RI=Remove/Install)								
Make	Model	Years	Joint	M	L	K	J	I	Q	U	G	
Ford	F-150 2WD/4WD	97-03	Lower	R	I			RI			I	
	Explorer Sport/ Sport Trac 2WD/4WD	01-05	Lower	R	I			RI			I	
	2WD/4WD	04-08	Lower		I			I			I	
	F-450 SD 2WD/4WD	05-08	Upper				I	R		I		
	F-550 SD 2WD/4WD	05-08	Upper				I	R		I		
	1-ton 4WD w/solid axle	96-97	Lower							I		
	1/2-, 3/4-, 1-ton 4WD (IFS)	80-96	Upper						I	R	I	
	1-ton 4WD	92-97	Upper						I	R	I	
	3/4-, 1-ton 4WD spindle	90-95	Lower							I		
	Ranger 2WD	89-97	Upper		R				R	I		I
			Lower		R	I			RI			I
	Ranger 2WD w/ Coil Spring Suspension	98-11	Lower		I				I			I
	Ranger 2WD/4WD w/ Torsion Bar Suspension	98-11	Lower	R	I				RI			I
	Ranger 4WD w/ Dana 28 Axle	83-97	Upper		R	I			RI			I
			Lower		R	I	I	I				I
Ranger 4WD w/ Dana 35 Axle	90-97	Upper		R	I	I	I				I	
		Lower		R	I	I	I				I	

Fitment				Part (R=Remove I=Install RI=Remove/Install)							
Make	Model	Years	Joint	M	L	K	J	I	Q	U	G
GMC	1500 2WD	91-92	Lower	R	R		R	R			
	1500 4WD	96-99	Lower		I		I	R			
	2500 2WD w/7200 lbs GVW	91-92	Lower	R	R		R	R			
	2WD S-10 Blazer, Jimmy, & Pickup	82-97	Lower					R			
	1/2-, 3/4-, 1-ton 4x4	96-97	Lower							R	
	4WD 1/2-, 3/4- ton Pickups, Suburban, Yukon, Tahoe	96-06	Lower								
	2500 2WD w/8600 lbs GVW	91-92	Lower	R	R		R	R			
	2500 4WD	96-00	Lower		I		I	R			
	3500 2WD w/ IFS(5th VIN digit "C")	91-92	Lower	R	R		R	R			
	3500 4WD	96-00	Lower		I		I	R			
	Envoy 2WD/4WD	02-09	Lower					R		I	I
	Safari 2WD	85-05	Lower		I		I				
	Savana 1500	03-15	Lower		I		I	I			I
	Savana 2500 w/7300 lbs. GVW	03-17	Lower		I		I	I			I
	Savana 2500 w/8500& 8600 lbs. GVW	03-17	Lower		I			I			I
Savana 3500	03-17	Lower		I			I			I	

Fitment				Part (R=Remove I=Install RI=Remove/Install)							
Make	Model	Years	Joint	M	L	K	J	I	Q	U	G
GMC	Sierra 1500 4WD	99-07	Lower		I		I	I			I
	Sierra 1500 HD 2WD/4WD	00-07	Lower		I			RI			I
	Sierra 2500 2WD/4WD	01-04	Lower		I			RI			I
	Sierra 2500 4WD	99-00	Lower		I			RI			I
	Sierra 2500 HD 2WD/4WD	01-11	Lower		I			RI			I
	Sierra 3500 2WD/4WD	01-11	Lower		I			RI			I
	Sierra Denali	02-07	Lower		I		I	I			I
	Suburban 1500 2WD	1992	Lower	R	R		R	R			
	Suburban 1500 4WD	96-99	Lower		I		I	R			
	Suburban 2500 2WD	1992	Lower	R	R		R	R			
	Suburban 2500 4WD	96-99	Lower		I		I	R			
	Yukon	01-07	Lower		I		I	I			I
	Yukon 4WD	96-99	Lower		I		I	R			
	Yukon 4WD w/ 5.7L	2000	Lower		I		I	R			
	Yukon Denali	99-00	Lower		I		I	I			I
	Yukon Denali & Denali XL	01-05	Lower		I		I	I			I
	Yukon exc. 5.7L	2000	Lower		I		I	I			I
	Yukon XL 1500	00-07	Lower		I		I	I			I
	Yukon XL 2500	00-08	Lower		I			RI			I
Honda	Accord	90-97	Lower in Spindle						I		

Fitment				Part (R=Remove I=Install RI=Remove/Install)								
Make	Model	Years	Joint	M	L	K	J	I	Q	U	G	
Honda	Accord Sedan & Coupe	98-02	Lower in Spindle						I			
	Odyssey	95-98	Lower						I			
	Odyssey Vans	99-04	Lower				I					
	Prelude	92-99	Lower						I			
Hummer	H2	03-09	Lower		I			RI			I	
Isuzu	Ascender 2WD/4WD	03-08	Upper									
			Lower				R		I	I		
	Oasis	96-99	Lower						I			
Jeep	Commander 2WD/4WD	06-10	Lower								I	
	2WD Grand Cherokee	93-97	Upper								I	
	4WD Grand Cherokee, Grand Wagoneer	93-95	Upper								I	
	4WD Wrangler	87-98	Upper								I	
	4WD Wagoneer	84-95	Upper								I	
	Comanche	84-95	Upper									I
		90-97	Lower									I
	Cherokee	84-95	Upper								I	
	2WD Grand Cherokee	93-97	Lower								I	
	2WD Cherokee	90-97	Lower								I	
Wagoneer	90-97	Lower								I		

Fitment				Part (R=Remove I=Install RI=Remove/Install)							
Make	Model	Years	Joint	M	L	K	J	I	Q	U	G
Jeep	4WD Grand Cherokee	93-95	Lower								I
	Grand Wagoneer	93-95	Lower								I
	4WD Wrangler	90-98	Lower								I
	2WD & 4WD Wagoneer, Comanche, Cherokee	90-95	Lower								I
	2WD Cherokee, Wagoneer, Comanche	84-89	Lower								I
	4WD Wagoneer, Comanche, Cherokee	84-89	Lower								I
	full size 4WD Grand Wagoneer	84-92	Lower						I	R	I
	4WD Truck, CJ, full size Cherokee, Wagoneer	72-88	Lower						I	R	I
	Cherokee RHD	96-98	Lower						R		
	Grand Cherokee 2WD/4WD	05-10	Lower								I
Liberty 2WD/4WD	08-12	Lower								I	
Lincoln	Blackwood	2002	Lower	R	I			RI			I
	Navigator 2WD/4WD	98-02	Lower	R	I			RI			I
		03-14	Lower		I			I			I
		07-14	Rear Lower		I			I			I
	Town Car	95-02	Lower								I

Fitment				Part (R=Remove I=Install RI=Remove/Install)								
Make	Model	Years	Joint	M	L	K	J	I	Q	U	G	
Mazda	626	83-97	Lower							I	I	
	B-2300 2WD	94-97	Upper		R			R	I		I	
			Lower		R	I		RI		I		
	B-2300 2WD w/ Coil Spring suspension	01-04	Lower		I			I			I	
	B-2300 2WD w/ Torsion bar suspension	2001	Lower	R	I			RI			I	
	B-2300 2WD/4WD	05-09	Lower		I			I			I	
	B-2300 2WD/4WD w/Torsion bar suspension	01-04	Lower		I			I			I	
	B-2300 4WD	95-97	Upper		R	I	I	I				I
			Lower		R	I	I	I				I
	B-2500 2WD w/ Coil Spring suspension	98-01	Lower		I			I			I	
	B-2500 2WD w/ Torsion bar suspension	98-01	Lower	R	I			RI				I
	B-2500 4WD w/ Torsion bar suspension	98-01	Lower		I			I				I
	B-2600 2WD	94-96	Upper		R				R	I		I
			Lower		R	I			RI			I

Fitment				Part (R=Remove I=Install RI=Remove/Install)								
Make	Model	Years	Joint	M	L	K	J	I	Q	U	G	
Mazda	B-3000 2WD w/Coil SpringSuspension	98-04	Lower		I			I			I	
	B-3000 2WD w/ Torsion Bar Suspension	98-01	Lower	R	I			RI			I	
	B-3000 2WD/4WD	05-09	Lower		I			I			I	
	B-3000 2WD/4WDw/Tors ion bar suspension	02-04	Lower		I			I			I	
	B-3000 4WD	94-96	Upper		R	I	I	I				I
			Lower		R	I	I	I				I
	B-3000 4WD w/ Torsion bar suspension	98-01	Lower		I			I			I	
	B-4000 2WD w/Coil Spring Suspension	94-97	Upper		R			R	I			I
			Lower		R	I		RI				I
		98-04	Lower		I			I				I
	B-4000 2WD / 4WD	05-09	Upper		I			I				I
			Lower		I			I				I
	B-4000 2WD/4WDw/Tors ion bar suspension	02-04	Lower		I			I				I
	B-4000 4WD	94-97	Upper		R	I	I	I				I
Lower				R	I	I	I				I	
B-4000 4WD w/ Torsion bar suspension	98-01	Lower		I			I				I	

Fitment				Part (R=Remove I=Install RI=Remove/Install)								
Make	Model	Years	Joint	M	L	K	J	I	Q	U	G	
Mazda	MX-6	88-97	Lower							I	I	
	Navajo 2WD	92-94	Upper		R			R	I		I	
			Lower		R	I		RI		I		
	Navajo 4WD w/Dana 35 Axle	91-93	Lower (Uses Pinch Bolt)		R	I	I	I				I
		93-94	Lower		R	I	I	I				I
91-94		Upper (uses Pinch Bolt)		R	I	I	I				I	
Mercury	Grand Marquis	95-02	Lower								I	
	Mountaineer	97-05	Lower	R	I			RI			I	
Mitsubishi	Eclipse	90-94	Lower							R		
	Galant	85-93	Lower							R		
	Lancer	02-12	Lower			I		I				
	Raider	06-09	Lower								I	
Nissan	200SX	95-98	Lower						R			
	Altima	98-01	Lower			I		I				
	Frontier	98-04	Upper				I				I	
	Sentra	91-99	Lower						R			
	Xterra	00-04	Upper				I				I	
Oldsmobile	Bravada 2WD / 4WD	02-04	Lower					R		I	I	
Plymouth	Grand Voyager	88-00	Lower			R	R	I	I			
	Laser	90-94	Lower							R		

Fitment				Part (R=Remove I=Install RI=Remove/Install)							
Make	Model	Years	Joint	M	L	K	J	I	Q	U	G
Plymouth	Voyager	84-00	Lower			R	R	I	I		
Saab	9-7x	05-08	Lower					R		I	I
Toyota	4Runner	96-02	Upper						I		
	Echo	00-05	Lower						R		
	Sequoia	01-08	Upper						I		
	Tacoma 4WD	95-04	Upper						I		
	Tacoma Prerunner 2WD	95-04	Upper						I		
	Tacoma	05-15	Lower		I			RI			I
	Tundra	00-06	Upper						I		

Contact Us

Thank you for choosing our products! If you have any questions or comments, contact us at help@cs-supportpro.com and we'll resolve your issue ASAP!

For a .pdf copy of the latest version of these instructions, use the appropriate app on your smartphone to scan the QR code to the right.

