



2 1 PCS Universal Ball Joint Service Kit



Specifications:

Construction	Carbon Steel
Finish	Black Oxide
C-Frame Size	6.25" x 2.25"
Receiving Tube Sizes	1-3/4" x 2", 1-3/4" x 2-1/2", 2-1/4" x 3"
Center Rod Size	7/8" O.D
Install Cup Adapter	2-1/4" O.D x 1-7/8" I.D x 7/16" L
Install Cup	2" O.D x 1-3/4" I.D x 3" L
Receiving Cup	2-1/4" O.D x 2" I.D x 2" L
Adapter Sizes	1-7/16" O.D x 3/4" I.D x 1" L 2-1/8" O.D x 1-3/4" I.D x 1/2" L 2-1/2" O.D x 2-1/4" I.D x 1-1/2" L 2-3/4" O.D x 2-7/16" I.D x 2-1/4" L 2-1/2" O.D x 2-1/4" I.D x 2-3/4" L 3" O.D x 2-3/4" I.D x 2-1/4" L 2" O.D x 1-3/4" I.D x 2-5/16" L 2-7/8" O.D x 2-5/8" I.D x 2-7/8" L 2-7/16" O.D x 2-3/16" I.D x 3-3/16" L

Important

Read these instructions carefully before installing, operating, servicing or repairing this tool. Keep these instructions in a safe accessible place.

INTENDED USE OF THE TOOL

This tool set is designed to remove and replace ball joints. Do not use this tool outside of the designed intent. Never modify the tool for any other purpose or use.

21PCS MASTER BALL JOINT SET

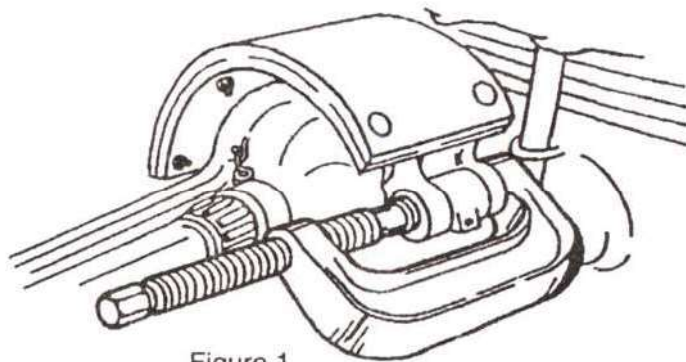
WARNING: TO HELP PREVENT PERSONAL INJURY

- Always wear ANSI approved goggles when using this product. Normal use of this product is likely to expose the user to dust and/or microscopic particles containing chemicals known to the State of California to cause cancer, birth defects or other reproductive harm. Always wear appropriate safety equipment and clothing when using this product.
- Study, understand, and follow all instructions provided with this product.
- Before repairing vehicle, block the wheels to prevent the vehicle from moving.
- Check the final alignment of the C-frame press and all tooling with components before exerting pressure to remove or replace a ball joint.

OPERATING INSTRUCTIONS

Brake Anchor Pin Removal and Installation

1. Remove all lock ring retainers from the brake anchor pins.
2. Position the C-frame press over the brake spider as shown in Figure 1.
3. Tighten the forcing screw until the anchor pin is removed.



U-Joint Assembly and Disassembly

The basic C-frame press is used to service the U-Joints on most cars and light trucks. The U-Joints can be serviced either on or off the vehicle.

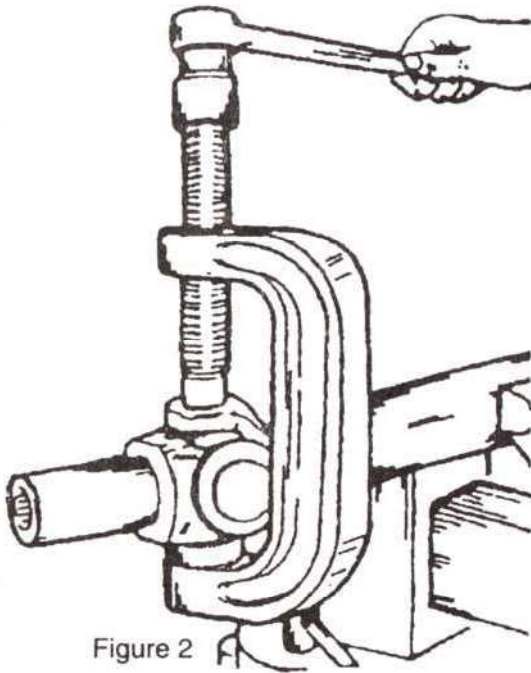
Disassembly

1. Remove any external and/or internal lock rings.

2. Position the C-frame press around the drive shaft yoke, and tighten the forcing screw until the first bearing is removed.
3. Reposition the C-frame and remove the second bearing.

Assembly

1. Clean all dirt and oil from the yoke area.
2. Align the replacement bearing and C-frame press as straight as possible over the yoke. Press the replacement bearing into the yoke, and reassemble the external / internal lock ring.
3. Reposition the C-frame press and second replacement bearing as straight as possible over the yoke, and press the bearing into the yoke. Reassemble the external / internal lock ring.



Ball Joint Removal and Installation

This tool set is designed for use on all cars and light trucks that have press-fit type ball joints without the need to remove the control arm from the vehicle.

NOTE: Some cars and light trucks may have the upper ball joint spot-welded to the control arm. The weld must be cut before attempting to remove the ball joint.

Removal

1. Assemble the ball joint press over the control arm as shown in Figure 3. Select the correct size receiving tube (Item 6, 7, or 8), and position it under the vehicle ball joint refer to Figure 3.
2. Tighten the forcing screw until the receiving tube contacts the control arm. Check the alignment of all tooling and components, and continue tightening the forcing screw until the ball joint is removed.

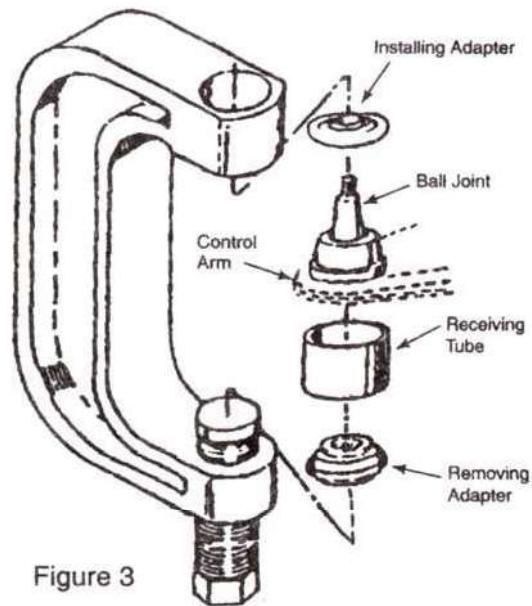


Figure 3

Installation

1. Clean the control arm and coat the I.D. with a suitable lubricant.
2. Insert the replacement ball joint as straight as possible into the vehicle control arm.
3. Assemble the ball joint press component as shown in Figure 4. Position the receiving tube, and tighten the forcing screw. Check the alignment of all tooling and components, and continue tightening the forcing screw until the ball joint is firmly seated.

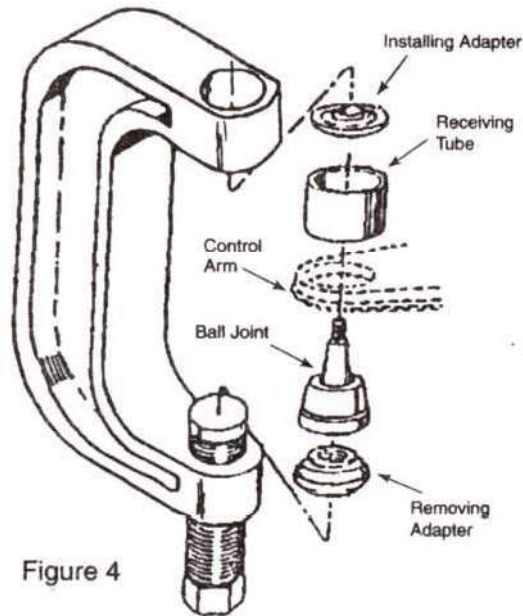
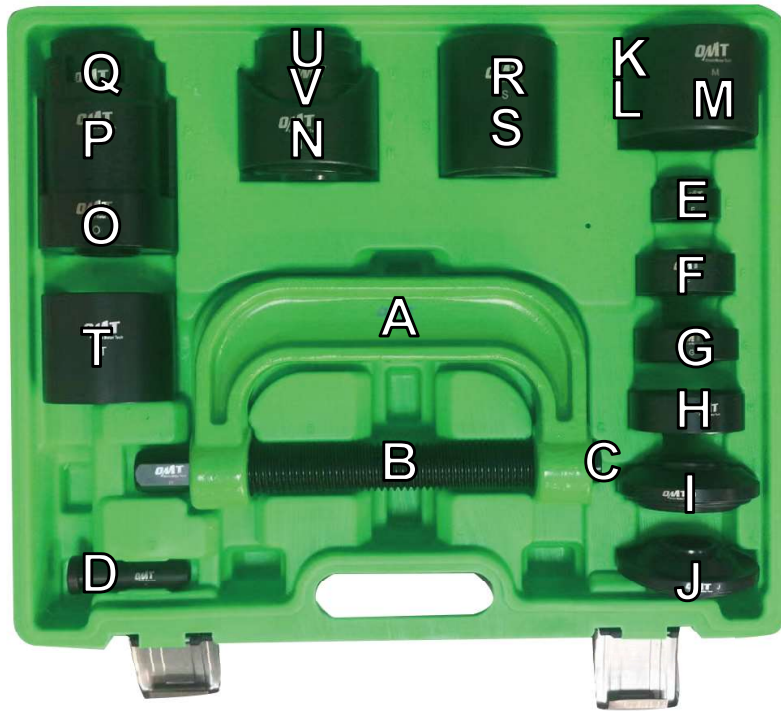


Figure 4

PARTS LIST



No.	Name	Qty.
A	C-Frame (6-1/4" × 2-1/4")	1
B	Screw	1
C	Center Rod (7/8" O.D.)	1
D	Center Rod (7/8" O.D.)	1
E	Adapter (1" L × 3/4" I.D. × 1-7/16" O.D.)	1
F	Adapter (1/2" L × 1-3/4" I.D. × 2-1/8" O.D.)	1
G	Install Cup Adapter (7/8" L × 1-7/8" I.D. × 2-1/4" O.D.)	1
H	Sleeve (3/4" L × 2-1/4" I.D. × 2-1/2" O.D.)	1
I	Removal Adapter	1
J	Install Adapter	1
K	Receiving Tube (1-3/4" × 2")	1
L	Receiving Tube (1-3/4" × 2-1/2")	1
M	Receiving Tube (2-1/4" × 3")	1
N	Adapter (2-1/4" L × 2-3/4" I.D. × 3" O.D.)	1
O	Adapter (2-7/8" L × 2-5/8" I.D. × 2-7/8" O.D.)	1
P	Adapter (3-3/16" L × 2-3/16" I.D. × 2-7/16" O.D.)	1
Q	Install Cup (3-3/4" L × 1-3/4" I.D. × 2" O.D.)	1
R	Adapter (2-5/16" L × 1-3/4" I.D. × 2" O.D.)	1
S	Adapter (2-3/4" L × 2-1/4" I.D. × 2-1/2" O.D.)	1
T	Adapter (2-1/4" L × 2-7/16" I.D. × 2-3/4" O.D.)	1
U	Receiving Cup (2-1/2" L × 2" I.D. × 2-1/4" O.D.)	1
V	Adapter (1-1/2" L × 2-1/4" I.D. × 2-1/2" O.D.)	1

APPLICATION CHART

Fitment			Part (R=Remove I=Install RI=Remove/Install)																					
Make	Model	Years	Joint	K	L	M	D	H	I	J	G	F	E	V	T	N	U	S	R	O	P	Q		
Buick	Rainier	(04-07)	Fr. Lower						R		I						R	I						
			Fr. Upper				I							I							I			
Cadillac	CTS	(03-13)	Fr. Lower		I		I		I		I													
	DeVille (HD Suspension, Limo Commercial Chassis)	(96-99)	Fr. Lower		RI	R				R	RI													
	Escalade	(99-00)	Fr. Lower		I					R	I				I		R							
(02-07)		Fr. Lower		I				I	I	I	I			I										
Chevrolet	C/K 1500 4WD	(96-99)	Fr. Lower		I				R	I					I		R							
	C/K 2500 2WDw/ 7200 lbs GVW	(91-92)	Fr. Lower		R	R	R			R	R													
	C/K 2500 2WDw/ 8600 lbs GVW	(91-92)	Fr. Lower		R	R	R			R	R													
	C/K 2500 4WD	(96-99)	Fr. Lower		I					R	I				I		R							
	3500 2WD w/ IFS (5th VIN digit "C")	(91-92)	Fr. Lower		R	R	R			R	R													
	3500 4WD	(96-99)	Fr. Lower		I					R	I				I		R							
	Astro 2WD	(85-05)	Fr. Lower		I				I		I				I									
	Avalanche 1500 2WD/4WD	(02-13)	Fr. Lower		I				I	I	I	I			I									
	Avalanche 2500 2WD/4WD	(02-06)	Fr. Lower		I					RI		I			I		R							
	Corvette	(84-96)	Fr. Lower		R	R				R	R													
	Express 1500	(03-15)	Fr. Lower		I				I	I	I	I			I									
								I		I	I													
	Express 2500 w/7300 lbs GVW	(03-14)	Fr. Lower		I				I	I	I	I			I									
								I		I	I													
	Express 2500w/8500 lbs GVW	(03-14)	Fr. Lower		I					I		I			I							R		
Express 3500	(96-14)	Fr. Lower		I					I		I			I							R			
Silverado 2500 & 2500 HD 4WD	1999	Fr. Lower		I					RI		I			I		R								
Silverado 2500 4WD	2000	Fr. Lower		I					RI		I			I		R								

Note: Compatibility is not limited to the specific models listed.

Fitment				Part (R=Remove I=Install RI=Remove/Install)																			
Make	Model	Years	Joint	K	L	M	D	H	I	J	G	F	E	V	T	N	U	S	R	O	P	Q	
Chevrolet																							
	Silverado 2500 HD 2WD / 4WD	(01-11)	Fr. Lower		I				RI		I			I					R				
	Silverado 3500 2WD /4WD	(01-11)	Fr. Lower		I				RI		I			I					R				
	SSR	(03-06)	Fr. Lower							R		I							R	I			
Fr. Upper						I							I							I			
Chevrolet	Suburban 1500 2WD	1992	Fr. Lower		R	R	R			R	R												
	Suburban 1500 2WD/4WD	(00-06)	Fr. Lower		I				I	I	I	I			I								
		(07-14)	Fr. Lower		I			I	I	I													
	Suburban 2500 2WD	1992	Fr. Lower		R	R	R			R	R												
	Suburban 2500 2WD/4WD	(01-13)	Fr. Lower		I				RI		I			I					R				
	Suburban 2500 4WD	(96-99)	Fr. Lower		I					R	I				I				R				
		2000	Fr. Lower		I					RI		I			I				R				
	Tahoe 2WD New Style (Exc. Limited)	2000	Fr. Lower		I				I	I	I	I			I								
								I		I	I												
	Silverado 1500 4WD	(99-06)	Fr. Lower		I				I	I	I	I			I								
								I		I	I												
	Silverado 1500 4WD (Old Style)	2007	Fr. Lower		I				I	I	I	I			I								
								I		I	I												
	Silverado 1500 HD 2WD / 4WD	(01-07)	Fr. Lower		I					RI		I			I				R				
Silverado 2500 2WD/4WD	(01-07)	Fr. Lower		I					RI		I			I				R					
Suburban 1500 4WD	(96-99)	Fr. Lower		I					R	I				I				R					
Tahoe 2WD/4WD	(01-06)	Fr. Lower		I				I	I	I	I			I									

Fitment				Part (R=Remove I=Install RI=Remove/Install)																				
Make	Model	Years	Joint	K	L	M	D	H	I	J	G	F	E	V	T	N	U	S	R	O	P	Q		
Chevrolet		(07-14)	Fr. Lower		I		I	I	I															
	Tahoe 4WD	(96-00)	Fr. Lower		I				R	I				I		R								
	Trailblazer 2WD/4WD	(02-09)	Fr. Upper				I							I						I				
			Fr. Lower						R		I						R	I						
	Trailblazer EXT 2WD/4WD	(03-07)	Fr. Upper						R		I						R	I						
			Fr. Lower					I						I						I				
Dodge	Dakota 2WD	(87-97)	Fr.Lower								I		R									RI		
	1/2-ton, 3/4-ton 2WD Pickup	(72-93)	Fr.Lower								I		R									RI		
	1/2-ton 2WD Ramcharger	(74-93)	Fr.Lower								I		R									RI		
	1/2-, 3/4-, 1-ton 2WD Van	(79-97)	Fr.Lower								I		R									RI		
	3/4-, 1-ton 2WD Pickup	(72-93)	Fr.Lower					I					R											
	1-ton 2WD Van	(79-97)	Fr.Lower					I					R											
	Caravan	(84-96)	Fr.Lower										R											
	Voyager	(84-96)	Fr.Lower										R											
	Pacifica FWD/AWD	(05-08)	Fr.Lower										R							R				
	1/2-, 3/4-, 1-ton 2WD Pickup(IFS)	(94-97)	Fr.Upper									I												
	1/2-, 3/4-, 1-ton 2WD Pickup(IFS)	(94-97)	Fr.Lower					I																
	1-ton solid axle, 2WD; 3/4-, 1-ton Dana 60 axle, 4WD	(94-97)	Fr.Upper									I											I	
	1-ton solid axle, 2WD; 3/4-, 1-ton Dana 60 axle, 4WD	(94-97)	Fr.Lower				R	I										I						

Fitment				Part (R=Remove I=Install RI=Remove/Install)																			
Make	Model	Years	Joint	K	L	M	D	H	I	J	G	F	E	V	T	N	U	S	R	O	P	Q	
Dodge	1/2-, 3/4-ton Dana 44 axle, 4WD	(94-06)	Fr.Lower									I	R				R		I		R	I	
	1/2-, 3/4-ton Dana 44 axle, 4WD	(94-06)	Fr.Upper									I	R				R		I		R	I	
	1/2-, 3/4-, 1-ton 4WD & Ramcharger	(72-93)	Fr.Lower									I	R				R		I		R	I	
	1/2-, 3/4-, 1-ton 4WD & Ramcharger	(72-93)	Fr.Upper								I						R						I
	Grand Caravan	(88-07)	Fr.Lower	R							R		R							R			
		(01-07)	Fr.Lower										R							R			
	Grand Cherokee 4WD	(93-04)	Fr.Lower									I	R							I		R	
	Grand Cherokee 4WD	(93-04)	Fr.Upper									I	R							I		R	
	Dodge Ram 4WD 1/2- Ton Pickup	(94-01)	Fr.Lower									I	R							I		R	
	Dodge Ram 4WD 1/2- Ton Pickup	(94-01)	Fr.Upper									I	R							I		R	
	Dodge Ram 1500 2WD	(94-97)	Fr.Lower			R		I	R	I								I					
	Dodge Ram 2500 2WD	(97-99)	Fr.Lower			R		I	R	I								I					
	Dodge 3500 2WD w/IFS	(94-99)	Fr.Lower			R		I	R	I								I					
	Dodge Ram 1500 4WD	(94-99)	Fr.Upper										I	R						I		R	
	Dodge Ram 1500 4WD w/216 FBU Axle	(00-01)	Fr.Upper										I	R						I		R	
	Dodge Ram 1500 4WD	2006	Fr.Lower		I					I		I											
	Ram 1500 4WD w/248 FBI Axle	(00-01)	Fr.Upper										I	R						I		R	
	Dodge Ram 1500 4WD	(94-99)	Fr.Lower										I	R						I		R	R
	Ram 2500 4WD w/ Dana 44 Axle	(94-99)	Fr.Lower										I	R						I		R	R
	Dodge Ram 1500 4WD w/216 FBU Axle	(00-01)	Fr.Lower										I	R						I		R	R

Fitment				Part (R=Remove I=Install RI=Remove/Install)																			
Make	Model	Years	Joint	K	L	M	D	H	I	J	G	F	E	V	T	N	U	S	R	O	P	Q	
Dodge	Ram 1500 4WD w/248 FBI Axle	(00-01)	Fr.Lower									I	R						I		R	R	
	Dodge Ram 2500 4WD w/ Dana 60(4500 lb axle)	(94-99)	Fr.Upper	I	R				RI		I							R					
	Ram 3500 4WD w/ Solid Fr. Axle	(94-99)	Fr.Upper	I	R				RI		I							R					
	Dodge Ram 3500 4WD	(96-99)	Fr.Upper	I	R				RI		I							R					
	Dodge Ram 2500 2WD	(03-08)	Fr.Lower		I				I		I				I						R		
	Dodge Ram 3500 2WD	(03-08)	Fr.Lower		I				I		I				I						R		
	Dodge Ram 2500 4WD	(00-08)	Fr.Upper		R						R												
	Dodge Ram 3500 2WD w/Solid Fr.Axle	(00-02)	Fr.Upper		R						R												
	Dodge Ram 1500 2WD	(94-96)	Fr.Lower																				
	Dodge Ram 3500 4WD	(00-08)	Fr.Upper		R						R												
	Dodge Ram Van B150	(81-94)	Fr.Lower		I					I		I											
	Dodge Ram Van 1500/2500/3500	(95-03)	Fr.Lower		I					I		I											
	Dodge Ram 1500 2WD/4WD	(02-05)	Fr.Lower		I					I		I											
	Dodge Ram SRT 10	(04-06)	Fr.Lower		I					I		I											
	Dodge Ram 2500 4WD w/ Dana 60(4500 lb axle)	(94-99)	Fr.Lower						I	R	I	I						I	R				
	Dodge Ram 3500 4WD w/Solid Fr.Axle	(94-99)	Fr.Lower						I	R	I	I						I	R				
	Ram 3500 4WD	(94-99)	Fr.Lower						I	R	I	I						I	R				
	Dodge Ram 3500 4WD	(96-99)	Fr.Lower						I	R	I	I						I	R				
	Caliber FWD/AWD	(07 12)	Fr. Lower											R						R			
	Caravan	(84-00)	Fr. Lower	R						I	R			R							R		I
		(01-06)	Fr. Lower											R						R			
	Challenger	(08 10)	Fr. Lower									I							I				

Fitment				Part (R=Remove I=Install RI=Remove/Install)																		
Make	Model	Years	Joint	K	L	M	D	H	I	J	G	F	E	V	T	N	U	S	R	O	P	Q
Dodge	Charger RWD	(06-10)	Fr. Lower								I						I					
	Colt	(84-94)	Fr. Lower										R				R	R				
	Dakota 2WD/4WD	(05-11)	Fr. Lower								I			I								
	Dakota 4WD	(97-04)	Fr. Lower		R			I	R	I				R			I					
	Durango 2WD/4WD	(04-09)	Fr. Lower		I		I		I	I				I								
	Durango 4WD	(98-03)	Fr. Lower		R			I	R	I				R			I					
	Magnum RWD	(05-08)	Fr. Lower									I					I					
	Nitro 2WD/4WD	(07-12)	Fr. Lower									I			I							
	Ram 3500 4WD	(96-99)	Fr. Upper	I	R					RI	I								R			
	Sprinter 2500	(03-10)	Fr. Lower		I					RI	I				I	R						
	Sprinter 3500	(03-10)	Fr. Lower		I					RI	I				I	R						
Chrysler	300C RWD	(05-10)	Fr. Lower								I						I					
	Aspen 2WD/4WD	(07-09)	Fr. Lower		I		I		I	I				I								
	Grand Voyager	2000	Fr. Lower	R						R			R						R			
	Pacifica FWD/AWD	(05-08)	Fr. Lower										R						R			
	Town & Country	(90-00)	Fr. Lower	R						I	R			R						R		I
		(01-16)	Fr. Lower											R						R		
Voyager	(00-03)	Fr. Lower	R						I	R			R						R		I	
Eagle	2000 GTX (Canada Only)	(91-93)	Fr. Lower										R				R	R				
	Summit	(91-96)	Fr. Lower										R				R	R				
	Talon	(90-94)	Fr. Lower										R				R	R				
Ford	Astro	(85-97)	Fr. Lower									I										

Fitment				Part (R=Remove I=Install RI=Remove/Install)																				
Make	Model	Years	Joint	K	L	M	D	H	I	J	G	F	E	V	T	N	U	S	R	O	P	Q		
Ford	Aerostar 2WD	(86-97)	Fr.Lower		I				I															
	Aerostar 4WD	(86-97)	Fr. Lower	I	R				RI		I			R				I						
			Fr. Upper NA (Bolt in)																					
	Aspire	(96-97)	Fr. Lower NA RCA																					
	Aero	(86-97)	Fr.Lower								I													
	Aero 4WD	(86-97)	Fr.Lower	I	R				RI		I			R										
	Accord	(90-97)	Fr.Lower				I																I	
	Accord Sedan & Coupe	(98-02)	Fr.Lower				I																I	
	Bronco	(80-96)	Fr. Lower									I							R					I
			Fr. Upper	I						I		I								R				
	Bronco II 4WD w/ Dana 28 Axle	(84-90)	Fr. Lower	I	R				I	I	I	I												
			Fr. Upper	I	R					I	I	I	I											
	Bronco II 4WD w/ Dana 35 Axle	1990	Fr. Lower	I	R				I	I	I	I												
			Fr. Upper	I	R					I	I	I	I											
	Crown Victoria	(03-08)	Fr. Lower																					R
		(95-02)	Fr. Lower				I					I												I
	E 150	(92-04)	Fr. Lower	I	R					RI		I			R									
		(03-08)	Fr. Lower	I						RI		I				R								
		(96-02)	Fr. Upper	I						RI		I												R
		(03-08)	Fr. Upper	I	R					RI		I			R									I
E-250, E-350, E- 450	(96-04)	Fr. Lower						I		I	I												R	
	(05-08)	Fr. Lower			R			I	R	I	I												I	

Fitment				Part (R=Remove I=Install RI=Remove/Install)																				
Make	Model	Years	Joint	K	L	M	D	H	I	J	G	F	E	V	T	N	U	S	R	O	P	Q		
Ford		(96-04)	Fr. Upper	I					RI	I								R						
		(05-08)	Fr. Upper	I	R					RI	I			R				I						
	Excursion 2WD	(00-05)	Fr. Upper	I						I	I							R					I	
			Fr. Lower								R	I							I	R				
	Excursion 4WD	(00-05)	Fr. Upper								I			R				R						I
			Fr. Lower								R	I							I	R				
	Expedition 2WD/4WD	(97-02)	Fr. Lower		I	R				RI	I										R			
		(03-17)	Fr. Lower		I					I	I			I										
	F250 4WD (Under 8500 lbs. GVW)	(97-99)	Fr. Lower		I	R				RI	I			I						R				
	Mustang	(94-04)	Fr. Lower								I												I	
		(05-14)	Fr. Lower		R						R			R										
	Probe	(89-97)	Fr. Lower								I							I						
	2WD Bronco II	(89-90)	Fr. Upper									I												I
	2WD Bronco II	(87-88)	Fr. Lower									I		R								R	I	
	2WD Explorer	(91-94)	Fr. Lower									I												
	2WD Explorer	(91-94)	Fr. Upper									I												I
	2WD Ranger	(83-88)	Fr. Lower									I		R								R	I	
		(89-97)	Fr. Upper									I												I
		(87-88)	Fr. Upper									I												
		(83-88)	Fr. Upper									I												
(89-90)		Fr. Lower									I													
(89-97)		Fr. Lower									I													

Fitment				Part (R=Remove I=Install RI=Remove/Install)																				
Make	Model	Years	Joint	K	L	M	D	H	I	J	G	F	E	V	T	N	U	S	R	O	P	Q		
Ford	1/2-ton Pickup, 2WD & 4WD	1997	Fr.Lower				R I	I																
	1/2-ton 2WD Pickup	(81-86)	Fr.Lower									I						R					I	
		(87-96)	Fr.Upper									I		R								R	I	
		(87-97)	Fr.Upper									I		R								R	I	
		(87-96)	Fr.Lower																					
	1/2-ton 2WD Pickup	(81-86)	Fr.Upper									I												
	4WD Bronco	(80-95)	Fr.Lower									I						R					I	
		(80-96)	Fr.Upper									I						R					I	
	4WD Bronco II w/Dana 28	1980	Fr.Upper									I												
	4WD Bronco II	(84-89)	Fr.Upper									I												
	4WD Explorer w/Dana 28	(91-94)	Fr.Upper									I												
	4WD Ranger w/Dana 28	(91-97)	Fr.Upper									I												
	4WD Bronco II w/Dana 28	1990	Fr.Lower						I															
	4WD Bronco II w/Dana 35	1990	Fr.Lower						I															
	4WD Bronco II w/Dana 35	1990	Fr.Upper						I															
	4WD Ranger w/Dana 35	(90-93)	Fr.Upper						I															
	4WD Ranger	(83-89)	Fr.Upper									I												
	4WD Ranger	(83-89)	Fr.Lower						I															
	1-ton (3800 axle) 4WD	1981	Fr.Lower									I						R					I	
	1/2-, 3/4-ton 4WD	(80-96)	Fr.Lower									I						R					I	
3/4-, 1-ton 2WD	(87-97)	Fr.Lower				R I	I										I							
1/2-,3/4-, 1-ton 2WD Van	(92-97)	Fr.Upper	I					RI			I	R					R							

Fitment				Part (R=Remove I=Install RI=Remove/Install)																				
Make	Model	Years	Joint	K	L	M	D	H	I	J	G	F	E	V	T	N	U	S	R	O	P	Q		
Ford	3/4-, 1-ton 2WD Van	(92-97)	Fr.Lower					I	I					I							R			
	1/2-ton 2WD Van	(92-97)	Fr.Lower								I													
	4WD Explorer w/Dana 35	(91-93)	Fr.Upper					I																
	4WD Bronco II	(84-89)	Fr.Lower					I																
	4WD Explorer w/Dana 28	(90-97)	Fr.Lower					I																
	4WD Ranger w/Dana 28	(90-97)	Fr.Lower					I																
	Bronco II 4WD w/ Dana 28 Axle	(84-92)	Fr.Upper	I	R			I	RI	I	I													
	Explorer 4WD w/ Dana 28 Axle	(91-94)	Fr.Upper	I	R			I	RI	I	I													
	Bronco II 4WD w/ Dana 28 Axle	(84-92)	Fr.Lower	I	R			I	RI	I	I													
	Bronco II 4WD w/ Dana 35 Axle	1990	Fr.Upper	I	R			I	RI	I	I													
	Bronco II 4WD w/ Dana 35 Axle	1990	Fr.Lower	I	R			I	RI	I	I													
	Explorer 4WD w/ Dana 35 Axle	(91-93)	Fr.Lower	I	R			I	RI	I	I													
	Explorer 4WD w/ Dana 28 Axle	(91-94)	Fr.Lower	I	R			I	RI	I	I													
	Explorer 4WD w/ Dana 35 Axle	(93-94)	Fr.Lower	I	R			I	RI	I	I													
	F 150 4WD HD	(80-96)	Fr.Lower									I							R					I
	F 150 2WD/F-350 2WD	(87-97)	Fr.Upper	I					I		I								R					
	F250 2WD	(87-96)	Fr.Upper	I					I		I								R					
	F 150 2WD	(87-96)	Fr.Lower	I	R				RI		I													
	F-250 4WD HD w Twin I-Beam	(80-96)	Fr.Upper	I					I		I								R					I
	F-250 4WD W/4600	1997	Fr.Upper	I					I		I								R					I

Fitment				Part (R=Remove I=Install RI=Remove/Install)																				
Make	Model	Years	Joint	K	L	M	D	H	I	J	G	F	E	V	T	N	U	S	R	O	P	Q		
Ford	F-250 Super Duty 2WD w/ Twin I-Beam Axle	(99-08)	Fr.Upper	I					I		I						R					I		
	F-350 SD 2WD w/ Twin I-Beam Axle	(99-08)	Fr.Upper	I					I		I						R					I		
	F250 4WD w/ 4600 lbs. Axle	(80-96)	Fr.Lower						R		I			R			I	R						
	F250 4WD w/ 4600 lbs. Axle w/ Twin I-Beam	1997	Fr.Lower						R		I			R			I	R						
	Bronco	(80-96)	Fr.Lower								I						R						I	
	F-250 4WD w/3850 lbs.Axle	(80-96)	Fr.Lower								I						R						I	
	Explorer 4WD w/ Dana 35 Axle	(91-93)	Fr.Upper	I	R				I	RI	I	I												
	F250 4WD (Under 8500 lbs. GVW)	(97-99)	Fr.Lower		I	R				RI		I		I							R			
	F 150 Heritage & Lightning	2004	Fr.Lower		I	R				RI		I		I							R			
	Explorer 2WD/4WD	(96-05)	Fr.Lower		I	R				RI		I		I							R			
	F-350 4WD (Monobeam Axle)	(92-97)	Fr.Upper									I		R				R					I	
	F-250 Super Duty 2W/4WD (Monobeam Axle)	(99-08)	Fr.Upper									I		R				R					I	
	F-350 SD 2WD/4WD (Monobeam Axle)	(99-08)	Fr.Upper									I		R				R					I	
	F-550 SD 2WD/4WD (Monobeam Axle)	(99-08)	Fr.Upper									I		R				R					I	
	F-250 2WD	(87-96)	Fr.Lower		R				I	R	I	I						I						
	F350 2WD	(87-97)	Fr.Lower		R				I	R	I	I						I						
F250 2WD HD w/ Twin I-Beam	1997	Fr.Lower		R				I	R	I	I						I							

Fitment				Part (R=Remove I=Install RI=Remove/Install)																			
Make	Model	Years	Joint	K	L	M	D	H	I	J	G	F	E	V	T	N	U	S	R	O	P	Q	
Ford	F-350 4WD (Monobeam Axle)	(92-97)	Fr.Lower						R		I							I	R				
	F-250 Super Duty 2W/4WD (Monobeam Axle)	(99-08)	Fr.Lower						R		I							I	R				
	F-350 4WD (Monobeam Axle)	(99-08)	Fr.Lower						R		I							I	R				
	F-550 SD 2WD/4WD (Monobeam Axle)	(99-08)	Fr.Lower						R		I							I	R				
	F 150 2WD/4WD	(97-03)	Fr.Lower		I	R			RI		I										R		
	Explorer Sport/ Sport Trac 2WD/4WD	(01-05)	Fr.Lower		I	R			RI		I										R		
	Victoria	(03-08)	Fr.Lower																		R		
	2WD/4WD	(04-08)	Fr.Lower		I					I		I			I						R		
	F-450 SD 2WD/4WD	(05-08)	Fr.Upper					RI	I	R	I					R		I					
	F-550 SD 2WD/4WD	(05-08)	Fr.Upper					RI	I	R	I					R		I					
	4WD Explorer w/Dana 35	(91-93)	Fr.Lower						I														
	4WD Explorer w/Dana 35	(93-94)	Fr.Upper						I														
	4WD Explorer w/Dana 35	(93-94)	Fr.Lower						I														
	4WD Ranger w/Dana 35	(90-93)	Fr.Lower						I														
	4WD Ranger w/Dana 35	(93-97)	Fr.Upper						I														
	4WD Ranger w/Dana 35	(93-97)	Fr.Lower						I														
	1-ton 4WD w/solid axle	(96-97)	Fr.Lower					RI	I									I					
	1-ton 4WD	(80-96)	Fr.Upper									I						R					I

Fitment				Part (R=Remove I=Install RI=Remove/Install)																				
Make	Model	Years	Joint	K	L	M	D	H	I	J	G	F	E	V	T	N	U	S	R	O	P	Q		
Ford	1/2-, 3/4-, 1-ton 4WD (IFS)	(92-97)	Fr.Upper								I						R					I		
	3/4-, 1-ton 4WD spindle	(90-95)	Fr.Lower				RI	I									I							
	Ranger 2WD	(89-97)	Fr. Upper		R				R		I												I	
			Fr. Lower	I	R				RI		I													
	Ranger 2WD w/ Coil Spring Suspension	(98-11)	Fr. Lower		I				I		I			I								R		
	Ranger 2WD/4WD w/ Torsion Bar Suspension	(98-11)	Fr. Lower		I	R			RI		I											R		
	Ranger 4WD w/ Dana 28 Axle	(83-97)	Fr. Upper	I	R					RI		I												
			Fr. Lower	I	R				I	I	I	I												
	Ranger 4WD w/ Dana 35 Axle	(90-97)	Fr. Upper	I	R				I	I	I	I												
Fr. Lower			I	R				I	I	I	I													
GMC	1500 2WD	(91-92)	Fr. Lower		R	R	R		R	R														
	1500 4WD	(96-99)	Fr. Lower		I				R	I				I		R								
	2500 2WD w/7200 lbs GVW	(91-92)	Fr. Lower		R	R	R		R	R														
	2WD S 10 Blazer, Jimmy, & Pickup	(82-97)	Fr.Lower						R				I						I					
	1/2-, 3/4-ton 2WD G Van	(73-95)	Fr.Lower										I											
	Safari van	(85-97)	Fr.Lower										I											
	1/2-, 3/4-, 1-ton 4x4	(96-97)	Fr.Lower										I				I	R						
	4WD 1/2-, 3/4-ton Pickups, Suburban, Yukon, Tahoe	(96-06)	Fr.Lower											I			I							
	2500 2WD w/8600 lbs GVW	(91-92)	Fr. Lower		R	R	R		R	R														

Fitment				Part (R=Remove I=Install RI=Remove/Install)																					
Make	Model	Years	Joint	K	L	M	D	H	I	J	G	F	E	V	T	N	U	S	R	O	P	Q			
GMC	2500 4WD	(96-00)	Fr. Lower		I				R	I				I		R									
	3500 2WD w/ IFS(5th VIN digit "C")	(91-92)	Fr. Lower		R	R	R		R	R															
	3500 4WD	(96-00)	Fr. Lower		I				R	I				I		R									
	Envoy 2WD/4WD	(02-09)	Fr. Upper				I							I						I					
			Fr. Lower						R		I						R	I							
	Safari 2WD	(85-05)	Fr. Lower		I			I		I				I											
	Savana 1500	(03 15)	Fr. Lower		I			I	I	I	I			I											
	Savana 2500 w/7300 lbs. GVW	(03 17)	Fr. Lower		I			I	I	I	I			I											
	Savana 2500 w/8500& 8600 lbs. GVW	(03 17)	Fr. Lower		I				I		I			I								R			
	Savana 3500	(03 17)	Fr. Lower		I				I		I			I								R			
	Sierra 1500 4WD	(99-07)	Fr. Lower		I				I	I	I	I			I										
	Sierra 1500 HD 2WD/4WD	(00-07)	Fr. Lower		I					RI		I			I		R								
	Sierra 2500 2WD/4WD	(01-04)	Fr. Lower		I					RI		I			I		R								
	Sierra 2500 4WD	(99-00)	Fr. Lower		I					RI		I			I		R								
	Sierra 2500 HD 2WD/4WD	(01 11)	Fr. Lower		I					RI		I			I		R								
	Sierra 3500 2WD/4WD	(01 11)	Fr. Lower		I					RI		I			I		R								
	Sierra Denali	(02-07)	Fr. Lower		I				I	I	I	I			I										
	Suburban 1500 2WD	1992	Fr. Lower		R	R	R			R	R														
	Suburban 1500 4WD	(96-99)	Fr. Lower		I					R	I				I		R								
	Suburban 2500 2WD	1992	Fr. Lower		R	R	R			R	R														

Fitment				Part (R=Remove I=Install RI=Remove/Install)																			
Make	Model	Years	Joint	K	L	M	D	H	I	J	G	F	E	V	T	N	U	S	R	O	P	Q	
GMC	Suburban 2500 4WD	(96-99)	Fr. Lower		I				R	I				I		R							
	Yukon	(01-07)	Fr. Lower		I			I	I	I	I			I									
	Yukon 4WD	(96-99)	Fr. Lower		I				R	I				I		R							
	Yukon 4WD w/ 5.7L	2000	Fr. Lower		I				R	I				I		R							
	Yukon Denali	(99-00)	Fr. Lower		I			I	I	I	I			I									
	Yukon Denali & Denali XL	(01-05)	Fr. Lower		I			I	I	I	I			I									
	Yukon exc. 5.7L	2000	Fr. Lower		I			I	I	I	I			I									
	Yukon XL 1500	(00-07)	Fr. Lower		I			I	I	I	I			I									
	Yukon XL 2500	(00-08)	Fr. Lower		I				RI		I			I		R							
Honda	Accord	(90-97)	Fr. Lower in Spindle				I															I	
	Accord Sedan & Coupe	(98-02)	Fr. Lower in Spindle				I																I
	Odyssey	(95-98)	Fr. Lower				I																I
		(99-06)	Fr. Lower											R						R			
	Odyssey Vans	(99-04)	Fr. Lower							I				R							R		
	Prelude	(92-99)	Fr. Lower				I																I
Hummer	H2	(03-09)	Fr. Lower		I				RI		I			I		R							
Isuzu	Ascender 2WD/4WD	(03-08)	Fr. Upper				I						I						I				
			Fr. Lower						R		I						R	I					
	Oasis	(96-99)	Fr. Lower				I																I
Jeep	Cherokee	(90-01)	Fr. Upper										I	R						I		R	
	Commander 2WD/4WD	(06 10)	Fr. Lower										I		I								
	2WD Grand Cherokee	(93-97)	Fr. Upper										I	I	R					I		R	

Fitment				Part (R=Remove I=Install RI=Remove/Install)																					
Make	Model	Years	Joint	K	L	M	D	H	I	J	G	F	E	V	T	N	U	S	R	O	P	Q			
Jeep	4WD Grand Cherokee, Grand Wagoneer	(93-95)	Fr.Upper									I	I	R									I	R	
	4WD Wrangler	(87-98)	Fr.Upper									I	I	R									I	R	
	4WD Wagoneer	(84-95)	Fr.Upper									I	I	R									I	R	
	Comanche	(84-95)	Fr.Upper										I	I	R									I	R
		(90-97)	Fr.Lower										I	I	R									I	R
	Cherokee	(84-95)	Fr.Upper									I	I	R									I	R	
	2WD Grand Cherokee	(93-97)	Fr.Lower									I	I	R									I	R	
	2WD Cherokee	(90-97)	Fr.Lower									I	I	R									I	R	
	Wagoneer	(90-97)	Fr.Lower									I	I	R									I	R	
	4WD Grand Cherokee	(93-95)	Fr.Lower									I	I	R									I	R	
	Grand Wagoneer	(93-95)	Fr.Lower									I	I	R									I	R	
	4WD Wrangler	(90-98)	Fr.Lower									I	I	R									I	R	
	2WD & 4WD Wagoneer, Comanche, Cherokee	(90-95)	Fr.Lower									I	I	R									I	R	
	2WD Cherokee, Wagoneer, Comanche	(84-97)	Fr.Upper										I	R									I	R	
	2WD Cherokee, Wagoneer, Comanche	(84-89)	Fr.Lower									I	I	R									I	R	
	4WD Wagoneer, Comanche, Cherokee	(84-89)	Fr.Lower									I	I	R									I	R	
Full size 4WD Grand Wagoneer	(84-92)	Fr.Lower									I							R						I	

Fitment				Part (R=Remove I=Install RI=Remove/Install)																		
Make	Model	Years	Joint	K	L	M	D	H	I	J	G	F	E	V	T	N	U	S	R	O	P	Q
Jeep	4WD Truck, CJ, full size Cherokee, Wagoneer	(72-88)	Fr.Lower								I						R					I
	Cherokee RHD	(96-98)	Fr.Upper									I	R						I		R	
	Grand Cherokee	(93-04)	Fr.Upper									I	R						I		R	
	Wrangler	(87 17)	Fr.Upper									I	R						I		R	
	Cherokee RHD	(96-98)	Fr.Lower									I	R						I		R	R
	Compass2WD/4WD	(07 16)	Fr.Lower										R						R			
	Grand Cherokee	(96-04)	Fr. Upper									I	R						I		R	
	Grand Cherokee 2WD/4WD	(05 10)	Fr. Lower									I		I								
	Liberty 2WD/4WD	(08 12)	Fr. Lower									I		I								
Lincoln	Blackwood	2002	Fr. Lower		I	R			RI		I									R		
	Navigator 2WD/4WD	(98-02)	Fr. Lower		I	R				RI		I									R	
		(03 14)	Fr. Lower		I					I		I		I							R	
		(07 14)	Rear Lower		I					I		I		I							R	
	Town Car	(95-02)	Fr. Lower				I					I										I
		(03 11)	Fr. Lower																		R	
Mazda	626	(83-97)	Fr. Lower								I						I					
	B-2300 2WD	(94-97)	Fr. Upper		R				R		I											I
			Fr. Lower	I	R				RI		I											
	B-2300 2WD w/ Coil Spring suspension	(01-04)	Fr. Lower		I				I		I		I							R		
B-2300 2WD w/ Torsion bar suspension	2001	Fr. Lower		I	R			RI		I									R			

Fitment				Part (R=Remove I=Install RI=Remove/Install)																				
Make	Model	Years	Joint	K	L	M	D	H	I	J	G	F	E	V	T	N	U	S	R	O	P	Q		
Mazda	B-2300 2WD/4WD	(05-09)	Fr. Lower		I				I		I			I							R			
	B-2300 2WD/4WD w/Torsion bar suspension	(01-04)	Fr. Lower		I				I		I			I							R			
	B-2300 4WD	(95-97)	Fr. Upper	I	R				I	I	I	I												
			Fr. Lower	I	R					I	I	I	I											
	B-2500 2WD w/ Coil Spring suspension	(98-01)	Fr. Lower		I				I		I			I							R			
	B-2500 2WD w/ Torsion bar suspension	(98-01)	Fr. Lower		I	R			RI		I										R			
	B-2500 4WD w/ Torsion bar suspension	(98-01)	Fr. Lower		I				I		I			I							R			
	B-2600 2WD	(94-96)	Fr. Upper		R					R		I												I
			Fr. Lower	I	R					RI		I												
	B-3000 2WD w/Coil SpringSuspension	(98-04)	Fr. Lower		I					I		I			I							R		
	B-3000 2WD w/ Torsion Bar Suspension	(98-01)	Fr. Lower		I	R				RI		I										R		
	B-3000 2WD/4WD	(05-09)	Fr. Lower		I					I		I			I							R		
	B-3000 2WD/4WDw/Torsion barsuspension	(02-04)	Fr. Lower		I					I		I			I							R		
	B-3000 4WD	(94-96)	Fr. Upper	I	R					I	I	I	I											
			Fr. Lower	I	R						I	I	I	I										
	B-3000 4WD w/ Torsion bar suspension	(98-01)	Fr. Lower		I					I		I			I							R		
B-4000 2WD w/Coil	(94-97)	Fr. Upper		R					R		I												I	

Fitment				Part (R=Remove I=Install RI=Remove/Install)																				
Make	Model	Years	Joint	K	L	M	D	H	I	J	G	F	E	V	T	N	U	S	R	O	P	Q		
Mazda	SpringSuspension		Fr. Lower	I	R				RI	I														
		(98-04)	Fr. Lower		I				I	I				I							R			
Mazda	B-4000 2WD / 4WD	(05-09)	Fr. Upper		I				I	I				I							R			
			Fr. Lower		I					I	I				I							R		
	B-4000 2WD/4WDw/Torsion barsuspension	(02-04)	Fr. Lower		I				I	I				I							R			
	B-4000 4WD	(94-97)	Fr. Upper	I	R				I	I	I	I												
			Fr. Lower	I	R					I	I	I	I											
	B-4000 4WD w/ Torsion bar suspension	(98-01)	Fr. Lower		I				I	I				I							R			
	MX-6	(88-97)	Fr. Lower								I							I						
	Navajo 2WD	(92-94)	Fr. Upper		R					R	I													I
			Fr. Lower	I	R						RI	I												
	Navajo 4WD w/Dana 35 Axle	(91-93)	Fr. Lower (Uses Pinch Bolt)	I	R				I	I	I	I												
(93-94)		Fr. Lower	I	R				I	I	I	I													
(91-94)		Fr. Upper (uses Pinch Bolt)	I	R				I	I	I	I													
Mercury	Grand Marquis	(95-02)	Fr. Lower				I				I													
		(03 11)	Fr. Lower																			R		
	Marauder	(03-04)	Fr. Lower																		R			
	Mountaineer	(97-05)	Fr. Lower		I	R				RI	I											R		
Mitsubishi	Eclipse	(90-94)	Fr. Lower										R				R		R					
	Galant	(85-93)	Fr. Lower										R				R		R					

Fitment				Part (R=Remove I=Install RI=Remove/Install)																			
Make	Model	Years	Joint	K	L	M	D	H	I	J	G	F	E	V	T	N	U	S	R	O	P	Q	
Mitsubishi	Lancer	(02-12)	Fr. Lower	I					I				R						R				
	Raider	(06-09)	Fr. Lower								I			I									
Nissan	200SX	(95-98)	Fr. Lower										R									R	
	Altima	(93-97)	Fr. Lower										R							R			
		(98-01)	Fr. Lower	I						I			R							R			
	Frontier	(98-04)	Fr. Upper				I			I	I								I				
	Sentra	(91-99)	Fr. Lower										R										R
	Versa	(07-12)	Fr. Lower										R							R			
	Xterra	(00-04)	Fr. Upper				I			I	I								I				
Oldsmobile	Bravada 2WD / 4WD	(02-04)	Fr. Upper				I						I						I				
			Fr. Lower						R		I					R	I						
Plymouth	Grand Voyager	(88-00)	Fr. Lower	R					I	R			R							R		I	
	Laser	(90-94)	Fr. Lower										R				R		R				
Plymouth	Voyager	(84-00)	Fr. Lower	R					I	R			R							R		I	
		(01-03)	Fr. Lower										R							R			
Saab	9-7x	(05-08)	Fr. Upper				I						I						I				
			Fr. Lower						R		I					R	I						
Toyota	4Runner	(96-02)	Fr. Upper				I						I									I	
	Echo	(00-05)	Fr. Lower										R										R
	Sequoia	(01-08)	Fr. Upper				I						I										I
	Tacoma 4WD	(95-04)	Fr. Upper				I						I										I
	Tacoma Prerunner 2WD	(95-04)	Fr. Upper				I						I										I

Fitment				Part (R=Remove I=Install RI=Remove/Install)																			
Make	Model	Years	Joint	K	L	M	D	H	I	J	G	F	E	V	T	N	U	S	R	O	P	Q	
Toyota	Tacoma	(05-15)	Fr. Lower		I				RI		I				R								
	Tundra	(00-06)	Fr. Upper				I						I										I

Note: For your references, please make sure your vehicle is compatible with our product before placing your order. Compatibility is not limited to the specific models listed. Compatible with most vehicles of the following manufacturers.

CONTACT US

Thank you for choosing our products! If you have any questions or comments, contact us at help@cs-supportpro.com and we'll resolve your issue ASAP!

For a .pdf copy of the latest version of these instructions, use the appropriate app on your smartphone to scan the QR code to the right.

